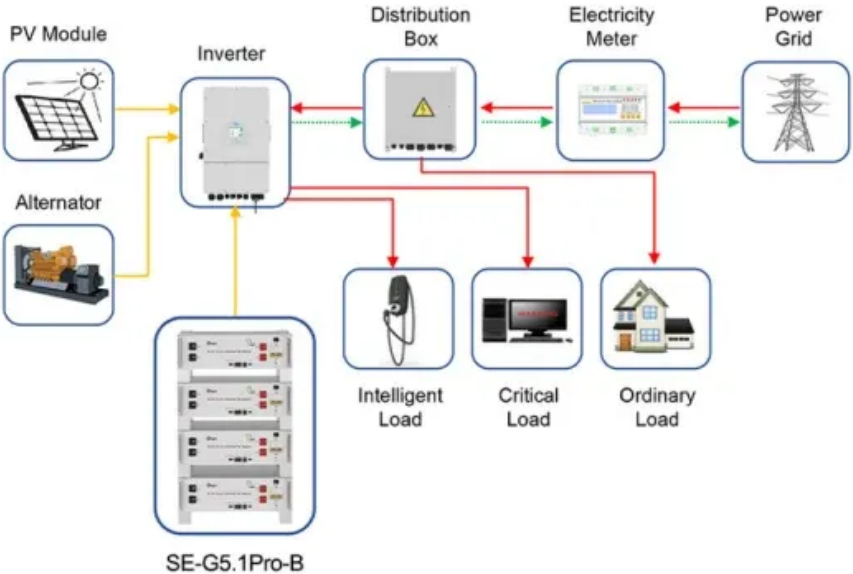


There are several types of energy storage project cooperation



Application scenarios of energy storage battery products

Overview

Let's explore practical energy storage cooperation models driving successful projects worldwide: 1. Technology Licensing Partnerships Think of this as a "brain-sharing" approach. As global demand for energy storage power stations surges, businesses are actively exploring cooperation methods to leverage this \$150 billion market (BloombergNEF 2023). From grid stabilization to renewable integration, strategic alliances are becoming the backbone of modern energy infrastructure. Opportunities and challenges for cooperation in deploying energy storage Opportunities and challenges for cooperation in deploying energy storage 6/25/24 Eric Hsieh Deputy Assistant Secretary for Energy Storage Office of Electricity's Portfolio Grid Systems & Components Grid Controls &. Energy storage projects encompass several innovative technologies that enable the efficient capture and later use of energy. Various technologies include batteries, pumped hydroelectric storage, compressed air systems, and thermal energy storage; 2. Different applications serve renewable energy. These projects are the grown-up, billion-dollar version: When a German engineering firm teamed up with a Chilean lithium producer: The cool kids' table in energy storage now features: Regulatory hurdles?

They're real, but not insurmountable. Energy storage cooperation is essentially the act of different entities → companies, governments, or even individuals → working together to develop and deploy. cs of your energy storage and hybrid projects. The Fractal Model platform uses Fractal's Cloud Based Optimizer and seamlessly integrates with Fractal's the necessary functions for the peak shaving.

There are several types of energy storage project cooperation



[Shared energy storage-assisted and tolerance-based alliance strategy](#)

The sharing of energy storage in the alliance formed by different types of WPGs provides a new solution to the problem, but alliance cooperation and alliance selection are crucial issues that ...

[What forms of energy storage projects are there? . NenPower](#)

The landscape of energy storage is diverse, showcasing various project types designed to address specific energy needs and challenges. Each form contributes uniquely to the grid ...



[Professional Energy Storage Power Station Cooperation Models: Key](#)

Discover how innovative collaboration frameworks are reshaping energy storage projects worldwide, with actionable insights for businesses and governments.

[Energy Storage Project Development Cooperation: Powering the ...](#)

Meta Description: Explore innovative energy storage project cooperation models driving the \$33B industry. Discover real-world case studies, emerging trends, and practical collaboration ...



[Model energy storage project cooperation model](#)

By integrating shared storage into these projects, system operators can better manage their energy resources, improve grid stability, and support the transition to renewable



[Innovative Cooperation Models for Energy Storage Power Stations](#)

As the industry evolves, so do the cooperation methods for energy storage power stations. Whether through joint ventures, technology sharing, or innovative financing models, the right partnership can ...



[Opportunities and challenges for cooperation in deploying energy ...](#)

Opportunities and challenges for cooperation in deploying energy storage 6/25/24 Eric Hsieh Deputy Assistant Secretary for Energy Storage



[Fuel Cell Electric Vehicles \(FCEVs\) . Springer Nature Link](#)

In 2021, China's Ministry of Finance and four other ministries and commissions have successively approved the first and second batches of FCEV demonstration urban agglomerations, ...



[How Effective Is Energy Storage Cooperation? -> Question](#)

Cooperation can take many forms. It might involve a utility company partnering with a battery manufacturer to deploy grid-scale storage, or a group of countries working together to ...

World Bank Document

Deploying diverse approaches to energy storage in tandem with strengthening electricity grid infrastructure will create more resilient power systems and bring cost savings to utilities and consumers.



Contact Us

For catalog requests, pricing, or partnerships, please visit:
<https://motocykle3city.pl>