

Solar power station for home in uae



Overview

In 2013, the, a 100- (MW) (CSP) plant near became operational. The US\$600 million Shams 1 is the largest CSP plant outside the United States and Spain and is expected to be followed by two more stations, Shams 2 and Shams 3. in Abu Dhabi was designed to be the most environmentally

Solar power station for home in uae

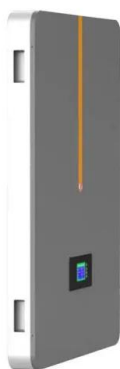
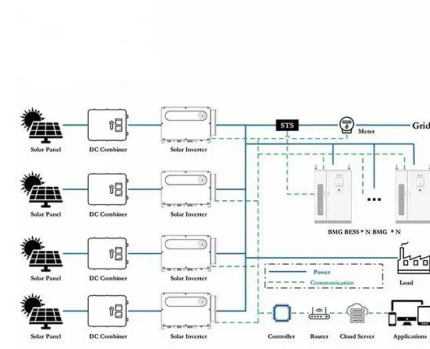


[Top Solar Panel Solutions for Homes in Dubai](#)

Explore top solar panels for homes in Dubai with Sharaf DG Energy. Designed for the dynamic UAE lifestyle, they bring unmatched energy efficiency to your doorstep.

[Solar power in the United Arab Emirates](#)

In 2013, the Shams solar power station, a 100-megawatt (MW) concentrated solar power (CSP) plant near Abu Dhabi became operational. The US\$600 million Shams 1 is the largest CSP plant outside the United States and Spain and is expected to be followed by two more stations, Shams 2 and Shams 3. Masdar City in Abu Dhabi was designed to be the most environmentally sustainable city



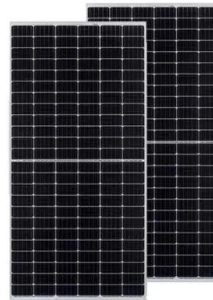
Al Dhafra Solar PV

Upon completion in June 2023, Al Dhafra was the world's largest single-site solar plant, using almost 4 million bifacial solar panels to generate enough electricity for approximately 200,000 homes across ...

[Solar energy , The Official Platform of the UAE Government](#)

As part of Dubai Clean Energy Strategy to generate 75 per cent of Dubai's power from clean energy by 2050, Dubai will build the

largest Concentrated Solar Power (CSP) project on a single site in the ...

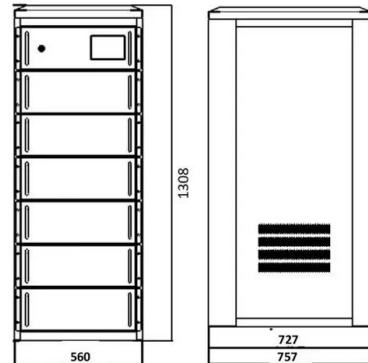


[Solar power in the United Arab Emirates](#)

While being a major oil producing country, the United Arab Emirates (UAE) has taken steps to introduce solar power on a large scale. However, solar power still accounts for a small share of energy ...

[Solar Panels for Your Home: Cost, Warranties, Savings](#)

Using straightforward language, this guide highlights every stage you must choose, buy, set up, and run solar on your roof. You will come across pointers fit for UAE regulations and climate. ...



[Top Solar Power Plants in the UAE \(2025\)](#)

Discover the top solar power plants in the UAE. Explore their capacities, locations, developers, and key facts about solar energy in Abu Dhabi, UAE.



[Solar Panels for Home in UAE: Rules, installation & costs](#)

Whether you want to save money, reduce your reliance on the grid, or invest in your property's value, solar power is a smart choice for you. In this guide, you'll learn what's required, how ...



[How To Create A Solar Power Home In Dubai with DEWA](#)

Pros of Having A Solar Power Home in Dubai with DewaSteps to Install Solar Panels in Dubai and Turn Your Home SolarShow Me The MoneyOther Costs to Consider When Going Solar with DewaWho Can Go Solar with Dewa?There are a few stages in turning your home solar with DEWA. The process to add could take anything between a few weeks to several months depending on the size and capacity of the solar equipment in Dubai. 1. NOC certificate 2. The Design Approval stage 3. The Inspection and Connection Stage 4. The Generation Stage First, you have to hire one of th See more on bayut rbcengineering.ae

Solar Panels for Home in Dubai , 2025 Villa Owners' Complete

Learn how to install solar panels for home in Dubai and turn sunshine into savings. Explore system types, costs, ROI, and installation steps--built for villas, DEWA compliance, and long ...

[Solar Panels for Home in Dubai , 2025 Villa Owners' Complete](#)

Learn how to install solar panels for home in Dubai and turn sunshine into savings. Explore system types, costs, ROI, and installation steps--built for villas, DEWA compliance, and long-term value.



[Largest Solar Power Stations in UAE . Photovoltaic Parks in UAE . PV ...](#)

The solar plant will produce two gigawatts of energy when it is finished, which is enough to power 160,000 households. Furthermore, it will reduce CO2 emissions in the emirate by more than 2.4 ...



[How To Create A Solar Power Home In Dubai with DEWA](#)

Learn how to create a solar power home in Dubai with DEWA with detailed steps. We tell you how to install solar panels, costs, and the pros of turning your home solar.



Contact Us

For catalog requests, pricing, or partnerships, please visit:
<https://motocykle3city.pl>