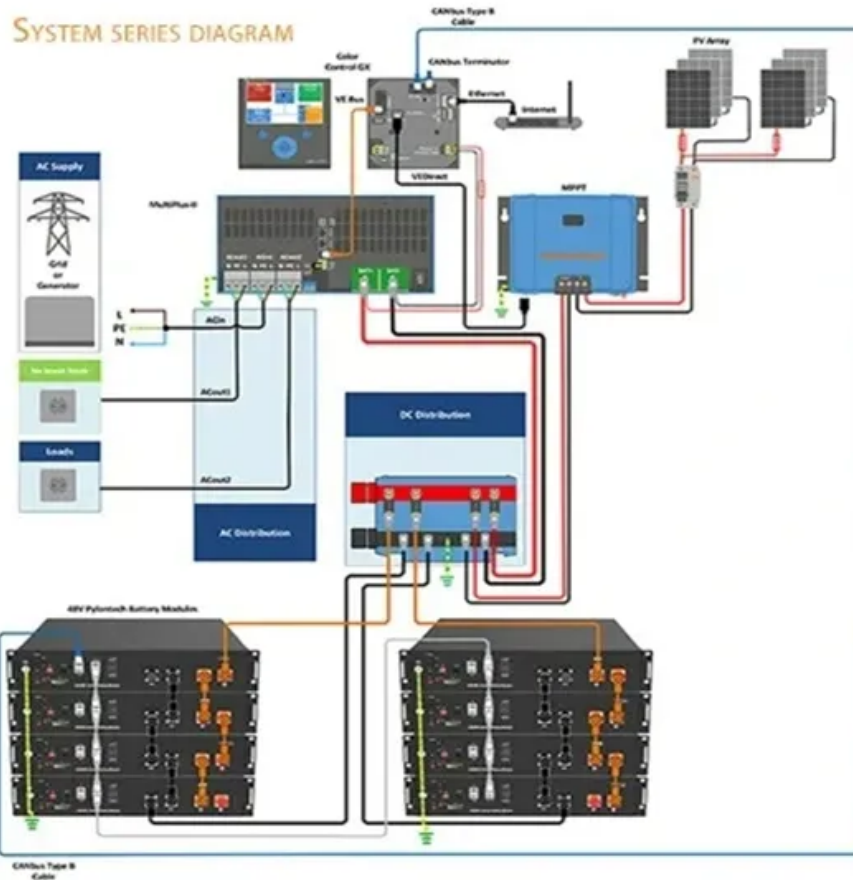


# Nauru photovoltaic energy storage cabinet 50kW



## Nauru photovoltaic energy storage cabinet 50kW

---

114KWh ESS

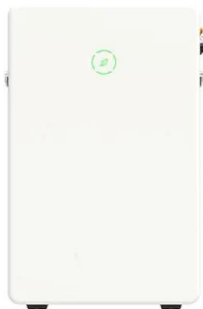


### [50kW/100kWh ESS PV All-in-one Cabinet Energy Storage System](#)

This achieves an integrated "PV + Energy Storage" solution. The cabinet system adopts a modular design, allowing flexible configurations for photovoltaic, batteries, and loads, meeting various user ...

### [NAURU PHOTOVOLTAIC ENERGY STORAGE 50KW INVERTER ...](#)

Photovoltaic energy storage cabinets are designed specifically to store energy generated from solar panels, integrating seamlessly with photovoltaic systems. [pdf]



### [Nauru Energy Storage Cabinet Price Guide 2024: Costs, Trends](#)

Looking for reliable energy storage solutions in Nauru? This guide breaks down the latest pricing trends, key features to prioritize, and strategies to optimize your investment.

### [Nauru 50kw energy storage solution](#)

Welcome to our dedicated page for Nauru 50kw energy storage solution! Here, we have carefully selected a range of videos and relevant information about Nauru 50kw energy storage solution, ...



[50KW/100KWH Outdoor Cabinet Type Energy Storage System](#)

The system integrates core parts such as the battery storage system, PCS, fire extinguishing system, temperature control systems, and EMS systems in one cabinet. The clean solar energy is the best ...



[Energy Storage Cabinet Outdoor 20KW 50KWh/ 30KW 60KWh](#)

This energy storage cabinet is a PV energy storage solution that combines high-voltage energy storage battery packs, a high-voltage control box, an energy storage PV inverter, BMS, cooling systems (an ...



[50kW/100kWh outdoor All-in-one all-in-one cabinet energy storage ...](#)

50kW/100kWh outdoor cabinet ESS solution (KAC50DP-BC100DE) is designed for small to medium size of C& I energy storage and microgrid applications. Individual pricing for large scale projects and ...



[NAURU+OFF-GRID+SOLAR+ENERGY+STORAGE+CABINET+50KW ...](#)

NAURU+OFF-GRID+SOLAR+ENERGY+STORAGE+CABINET+50KW, request quote,price and delivery information, for this item, Sierra Ic Inc



[Energy Storage ESS Cabinet with 50kW Lithium Battery . Anern](#)

Equipped with advanced LFP battery technology, this 50kw lithium ion solar battery storage cabinet offers reliable power for various applications, including commercial and industrial energy storage, ...



[50kW/100kWh Outdoor Cabinet Energy Storage System](#)

It adopts door-mounted embedded integrated air conditioning, which does not occupy cabinet space, improves the available space of outdoor cabinets, has better structural integrity at the top, and has ...



**NAURU+OFF ...**

NAURU+OFF-GRID+SOLAR+ENERGY+STORAGE+CABINET+50KW, request quote,price and delivery information, for this item, Sierra Ic Inc



## Contact Us

---

For catalog requests, pricing, or partnerships, please visit:  
<https://motocykle3city.pl>