

72v large capacity battery solar container energy storage system solar charging



Overview

Designed for electric vehicles requiring robust 72V power, this battery supports high-output currents (up to 150A) for commercial EVs, golf carts, and industrial transport. These systems are install-ready and cost-effective, offering on-grid, hybrid, and off-grid capabilities. Here's why they stand out: Optimize your energy use with. Whether you're powering a remote home, a mobile setup, or a small business disconnected from the grid, BatteryEVO's new 72V lithium battery offers unmatched power output, cycle life, and smart energy control. Off-grid energy solutions are becoming increasingly important for people seeking energy. MOBIPOWER containers are purpose-built for projects where energy demands go beyond what a trailer can deliver.

72v large capacity battery solar container energy storage system s



[Containerized energy storage , Microgreen.ca](#)

Microgreen offers large-scale energy storage that is reliable in harsh environments, cost effective with top energy density, and provides best return on investment.

[Large-scale Solar Energy Storage System Solution](#)

Our Solar Battery Container delivers eco-friendly, reliable energy for utility needs. Experience 24/7 power and reduced costs with innovative large scale solar battery storage systems.



[2MWH Containerized Solar Battery Storage System](#)

Polinovel utility scale energy storage battery system incorporates top-grade LiFePO4 battery cells with long life, good consistency and superior charging and discharging performance.

[Solar Container , Large Mobile Solar Power Systems](#)

With our pre-configured solar container unit, you can get going quickly, and the folding solar panels for containers can be deployed in less than three hours. Go big with our modular design for easy ...



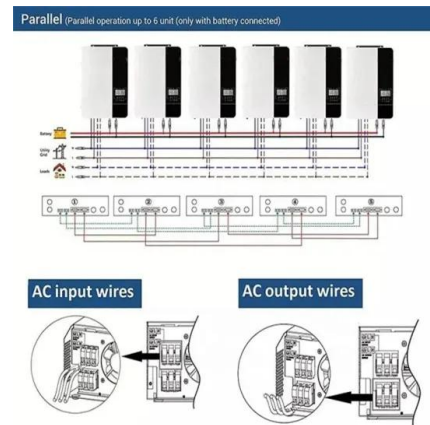
[MOBIPower Battery Energy Storage Systems .. Off-Grid Solar ...](#)

This large battery capacity enables extended operation during low-solar periods while the fuel cell provides continuous charging. The modular battery rack design allows capacity expansion as ...



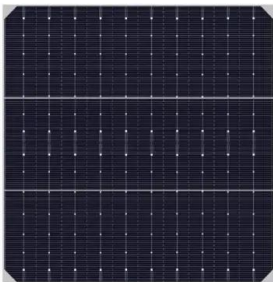
[Energy storage container, BESS container](#)

Adding Containerized Battery Energy Storage System (BESS) to solar, wind, EV charger, and other renewable energy applications can reduce energy costs, minimize carbon footprint, and increase ...



[72V 100Ah High-Cycle Lithium Battery for EV](#)

Designed for electric vehicles requiring robust 72V power, this battery ...



[50 to 200kW Battery Energy Storage Systems](#)

Discover the MEGATRON Series - 50 to 200kW Battery Energy Storage Systems (BESS) tailored for commercial and industrial applications. These systems are install-ready and cost-effective, offering ...



[72V 100Ah High-Cycle Lithium Battery for EV & Solar Storage Systems](#)

Designed for electric vehicles requiring robust 72V power, this battery supports high-output currents (up to 150A) for commercial EVs, golf carts, and industrial transport. The prismatic cell design enhances ...

[autana 72v solar container lithium battery pack .etrailer](#)

This single, energy-efficient lithium battery is strong enough to power any appliance in your RV. Maximum amp hours are packed into a compact unit to optimize your storage space. Lightning-fast ...



[BatteryEvo Expands Energy Frontier With High-Capacity 72V Lithium](#)

BatteryEVO's 72V lithium battery is built with lithium iron phosphate (LiFePO4) technology, offering superior safety, a longer lifespan, and reliable performance under varying load conditions .

Contact Us

For catalog requests, pricing, or partnerships, please visit:
<https://motocykle3city.pl>